



Aircraft Cable Management Systems





CONDUCT
wampfle
© DELACHAUX GROUPE



Passenger Loading Bridge Cable Reel PLB400

In today's rapid-turnaround airport environments, the PBL400 400 Hz cable reel system provides a quick and reliable source of power for parked aircraft. Aircraft systems powered from ground power sources save fuel and improve air quality at the airport.



The reel can be mounted horizontally under the passenger bridge or under the 400 Hz converter. Or it can mount vertically to the side of the bridge.

The precision-engineered internal reel mechanism flawlessly unwinds and rewinds cables and keeps them protected.

Benefits of the PLB400

The sophisticated reeling system provides the maximum protection for your cable investment. It eliminates the need to stow cables in a pit, suspend them on a hoist, move them around in a trailer, or leave them on the tarmac.

With cables safely stowed, safety risk to ground personnel is greatly reduced. The cable will not obstruct the movement of ramp vehicles.

Cables stored in the PLB400 reel system can not catch on aircraft doors; a common problem with cable hoist systems.

PBL Features

Minimal space consumption - the unit is only 610mm (24") high!

Accurate winding is provided by precision rollers and rugged cable guiding device.

Advanced electronic control system with programmable operating parameters.

Fail-safe overload protection stops the spool from rotating if the line-pull on the cable ever becomes excessive.

Fully protected components; spool, drive motor, slip ring assembly, and control system are completely enclosed.

Easy servicing, since the major components are modular. Cable replacement, if necessary, can be done in less than two hours.

Easy installation, set-up, and operation. Just mount the reel, wire the 400 Hz cable and the motor power supply to start protecting your cables!

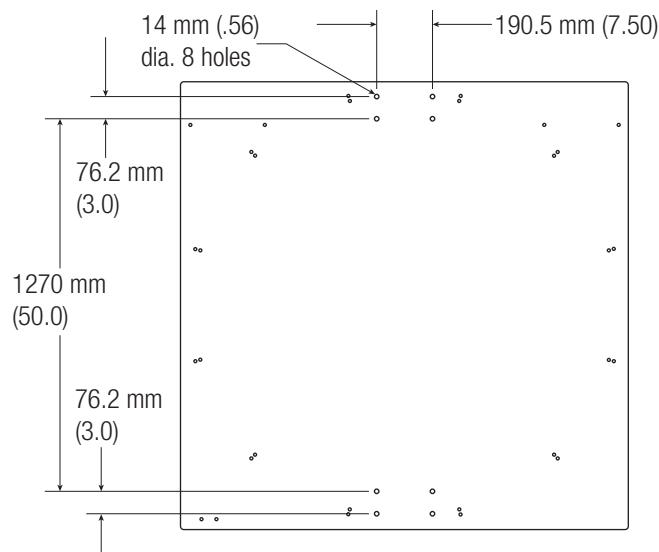


PBL400 Specifications

Description	Specifications
Material of Spool and Slip Ring Enclosure	Aluminum
Material of Frame and Exterior Panels	Steel
Hardware	Stainless Steel, Metric
Standard Exterior Finish	Ultrasonic Chrome Urethane Enamel
Optional Exterior Finishes	Contact the Factory
Mounting Orientation	Horizontal or Vertical
Mounting Brackets	Customized to fit any suitable passenger loading bridge. Interfaces with mounting holes shown below.
Dimensions: Horizontal - W x D x H	1534 mm x 1534 mm x 610 mm (60.38" x 60.38" x 24")
Unit Weight With 27.44 m (90 ft.) of Single Jacketed 400 Hz Cable	442.25 kg (974 lbs.)
Maximum Cable Length	36.57 m (120 ft.)
Usable Cable Types	Can be setup to accommodate most types, with or without scruff protection.
Ambient Operating Temperature Range	-40° C to +55° C (-40° F to +131° F)
Electrical Enclosure Rating	IP65 (NEMA 4)
Retraction Motor Input Voltage at 50 or 60 Hz	100-120 V Single-Phase 200-240 V Single-Phase 200-240 V Three-Phase 380-480 V Three-Phase
Programmable Electronic Controls	<ol style="list-style-type: none"> 1. Cable In/Out Limits 2. Adjustable Speed Control: 1.52 m/m to 30.48 m/m (5 ft/m to 100 ft/m) 3. Starting Acceleration (for soft starts) 4. Spool Brake Delay (for soft stops) 5. Driveline Monitoring 6. Safety Stop: In and out directions - in case cable is caught under a service vehicle or is otherwise impeded from retracting. 7. Safety Interlock: Retraction motor won't operate if 400 Hz power is on

PBL400 Mounting Configuration

Conductix-Wampfler offers custom -designed brackets to fit most any mounting requirement. Contact Conductix-Wampfler to discuss your unique needs.



Tarmac Mounted Cable Reels

Conductix-Wampfler manufactures several other reel configurations to manage 400 Hz cables or hoses on the tarmac.

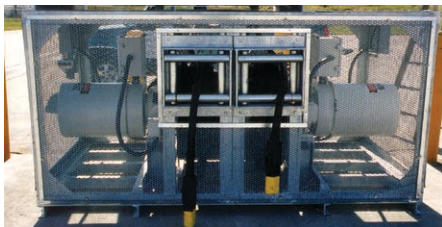
THE PLB400, as described on the previous pages, can be “tarmac mounted”. In addition, we also build “bulk-wrap” style spools in single, side-by-side, or stacked configurations.

For this style of reel, the motor control system is manually activated with a push-button switch.

All assemblies are weather-proof NEMA 4 /IP56 and can be equipped with expanded metal safety panels and other devices to protect the reels from tarmac traffic.



PLB400 mounted at the tarmac level and suspended above the converter.



Double-stacked reels to save space; Shown with protective mesh enclosure.



The PLB400 can be used with any model of 400 Hz converter; shown here mounted next to the converter.

Contact us with your requirements!

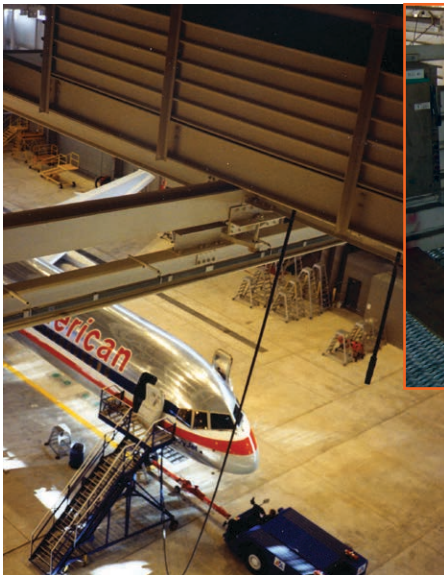
Hanger and Maintenance Area Cable Reels



Conductix-Wampfler designs and manufactures reels to manage 400 Hz cable and hose in maintenance hanger environments.

They are generally “bulk-wrap” style reels in either motorized or spring-driven configurations.

We also offer a full array of standard spring-driven reels to handle 300 to 600 volt cables and hoses. All electrical assemblies are sealed to NEMA 4 / IP65 standards, and can be equipped with various cable sizes and types.



Series 5159PR style reel mounted on a walkway above the floor.



Contact us
with your
requirements!



Wall-Mounted



Pedestal-Mounted

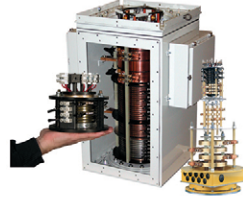
Other Products from Conductix-Wampfler

The products described in this catalog represent a few of the products from the broad spectrum of Conductix-Wampfler components and systems for the transfer of energy, data, gases, and fluids. The solutions we deliver for your applications are based on your specific requirements. In many cases, a combination of several different Conductix-Wampfler products are needed to fill the application. You can count on all of Conductix-Wampfler's business units for hands-on engineering support - coupled with the perfect solution to meet your energy management and control needs.



Motor driven cable reels

Motor driven reels by Conductix-Wampfler are the perfect solution for managing long lengths of heavy cable and hoses in very demanding industrial applications. Monospiral, level wind, and random wind spools.



Slip ring assemblies

Whenever powered machinery needs to rotate 360°, field proven slip ring assemblies by Conductix-Wampfler can flawlessly transfer energy and data. Here, everything revolves around flexibility and reliability.



Conductor bar

Whether they are enclosed conductor rails, expandable single-pole bar systems, or high amperage bar for demanding steel mill use up to 6000 amps. Conductix-Wampfler's conductor bar is the proven solution to reliably move people and material.



Spring driven cable reels

We have 60 years experience and trusted brands such as Insul-8, Wampfler, and IER. We offer small cord reels all the way to large multi-motor units, a wide range of accessories, and hazardous location reels.



Cable Festoon systems

It's hard to imagine Conductix-Wampfler cable trolleys not being used in virtually every industrial application. They are reliable and robust and available in an enormous variety of sizes and models.



Push Button Pendants

Our ergonomic pendants are ideally suited for industrial control applications. They are available in a wide range of configurations for overhead cranes and other machinery.



Radio remote controls

Safe, secure, and reliable radios use the latest in microprocessor technology. Available in several models for overhead crane control and other types of machinery.



Inductive Power Transfer IPT®

The contact-less system for transferring energy and data. For all tasks that depend on high speeds and absolute resistance to wear.



Data Transfer: ProfiDAT® | Nexus

Safe & reliable wireless communication using slotted waveguide technology that's PROFIsafe compatible.

Nexus NB for narrow band signal transfer over power conductors



LJU Automation EMS Controller

Specialized controllers Programmable by parameters, Ideal for Electrified Monorails at automotive plants, with over 1500 in service worldwide. Adaptable for other applications



BridgeGuard™

Prevents crane to crane and crane to end collisions. IP69K rated for indoor and outdoor use, with a 3 ft to 150 ft range. Compliant with IEC 60068-2-6:2007



Air & Spring balancers | Air hoists

Conductix-Wampfler offers the full line of ENDO positioning devices. Rugged, reliable steel construction increasing safety and decreasing fatigue and body stress.

www.conductix.us

Conductix-Wampfler

has just one critical mission:
To provide you with energy and
data transmission systems that
will keep your operations up
and running 24/7/365.

To contact your nearest
sales office, please refer to:

www.conductix.contact

