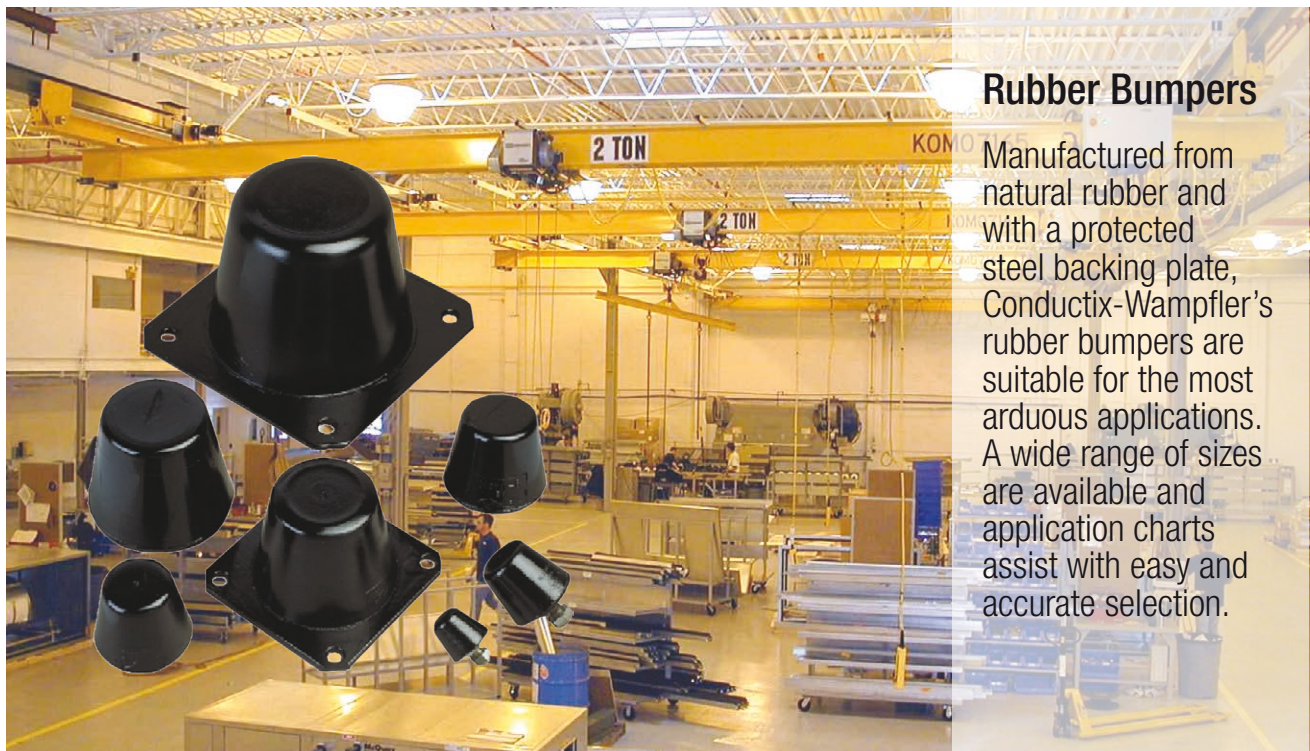


Product Bulletin

PBL7003.2-US | 3/27/2013

Impact Control Bumpers

- Designed and manufactured for industrial conditions, Conductix-Wampfler supplies rubber bumpers in a wide range of sizes.
- Typical applications include cranes, conveyors, electric vehicles material handling equipment and other moving machinery.
- Available in either flat plate or single stud mounting arrangements.



Rubber Bumpers

Manufactured from natural rubber and with a protected steel backing plate, Conductix-Wampfler's rubber bumpers are suitable for the most arduous applications. A wide range of sizes are available and application charts assist with easy and accurate selection.



Conductix-Wampfler is your single source for
Mobile Electrification Solutions!
Conductor Bar - Pendants - Radios - Festoon



Conductix-Wampfler | 10102 F Street | Omaha, Nebraska 68127 - U.S.A.

Tel: (402) 339 9300 | Fax: (402) 339 9627 | info.usa@conductix.com | www.conductix.us

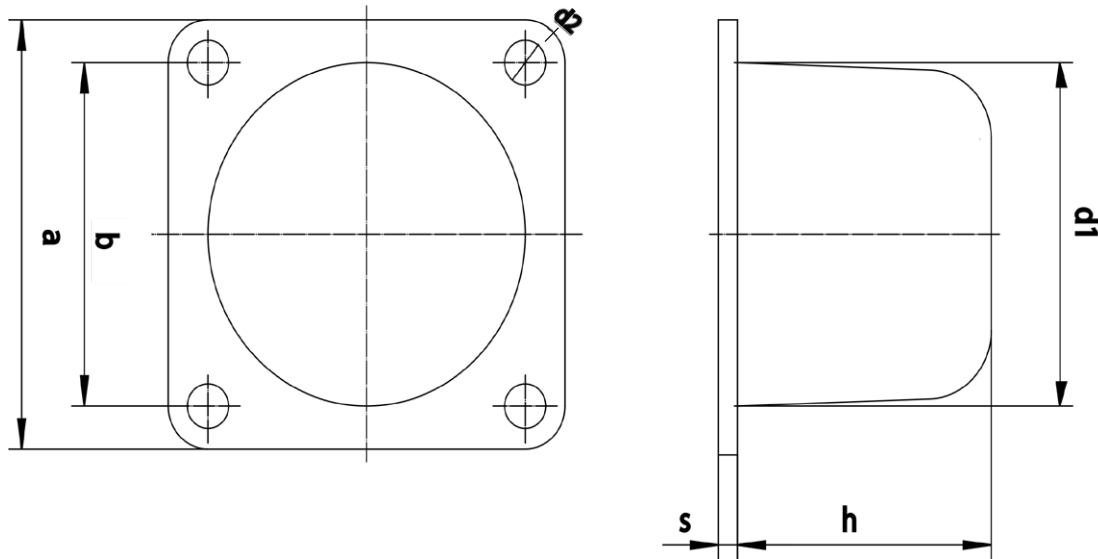
CONDUCTIX
wampfler
© DELACHAUX GROUP



Dimensions show inches (mm)

Plate Type

Part Number	d1	d2	a	b	h	s
017111-080N	3.14 (80)	0.43 (11)	3.94 (100)	3.14 (80)	2.5 (63)	0.23 (6)
017111-100N	3.94 (100)	0.51 (13)	4.92 (125)	3.94 (100)	3.14 (80)	0.23 (6)
017111-125N	4.92 (125)	0.70 (17)	6.3 (160)	4.92 (125)	3.94 (100)	0.23 (6)
017111-160N	6.3 (160)	0.70 (17)	7.88 (200)	6.3 (160)	4.92 (125)	0.31 (8)
017111-200N	7.88 (200)	0.83 (21)	9.84 (250)	7.88 (200)	6.3 (160)	0.31 (8)



Stud Type

Part Number	d1	d2	h	l	s
XA-017220-025x020-1	0.98 (25)	M6	0.79 (20)	0.98 (25)	0.03 (1)
XA-017220-040x032-1	1.57 (40)	M8	1.25 (32)	1.1 (28)	0.11 (3)
XA-017220-050x040-1	1.96 (50)	M10	1.57 (40)	1.25 (32)	0.11 (3)
XA-017220-063x050-1	2.48 (63)	M10	1.97 (50)	1.22 (31)	0.16 (4)
017120-80N-1	3.14 (80)	M12	2.5 (63)	1.46 (37)	0.11 (3)
XA-017120-100N-1	3.94 (100)	M12	3.14 (80)	1.41 (36)	0.16 (4)
XA-017120-125N-1	4.92 (125)	M16	3.94 (100)	1.81 (46)	0.16 (4)

* (-1) after part number indicates washer and nut included with Rubber Bumper

