

Product Overview

I-Beam Festoon Systems



CONDUCTIX
wampfler



TERMINAL BURCHARDKAI

TERMINAL BURCHARDKAI

NAUTIC
LIMASSOL

HHLA

Count on it!



On the go! **Program 0350** cable trolley system on a steel mill overhead bridge crane

We move your business: where ever materials are being handled, you will find tailor-made Conductix-Wampfler solutions for the flexible transfer of energy, data, gases, and fluids.

What makes Conductix-Wampfler truly unique is its depth of experience and comprehensive know-how in the development and production of festoon systems. These systems carry flat and round cables for the transfer of electrical energy and data. Hoses are also carried to handle fluids, air, or gases.

Conductix-Wampfler festoon systems are hard at work worldwide in steel mills, ports, zinc plating shops, and compost preparation facilities, to name a few applications. Highly developed technology and standardized, modular designs ensure the optimal operational life of the systems, even in the roughest of environments.

Assemblies are easily done on site and within the shortest amount of time; service and maintenance are quick and easy. Conductix-Wampfler festoon systems save time and minimize costs throughout their operational life.

As a system supplier, Conductix-Wampfler offers its customers comprehensive all-around service. This includes the delivery of all metal components, such as cable trolleys, towing trolleys, and end clamps. We also offer expert consulting to plan your overall system, select and acquire the optimal cables and equipment, choose the right logistical concept, and commission the system on-site.

With our festoon systems, critical energy and data are delivered safely, reliably, and permanently wherever they're needed.

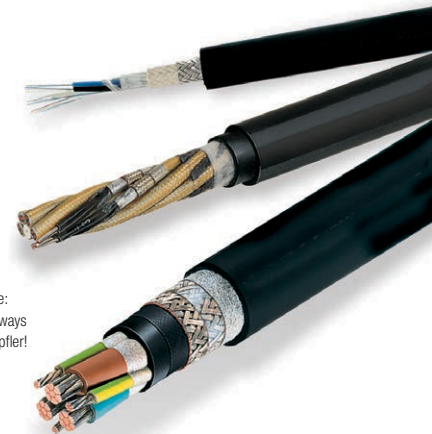
All over the world!
Count on it!



Open the gates!
Program 0330 cable trolley system on a lock

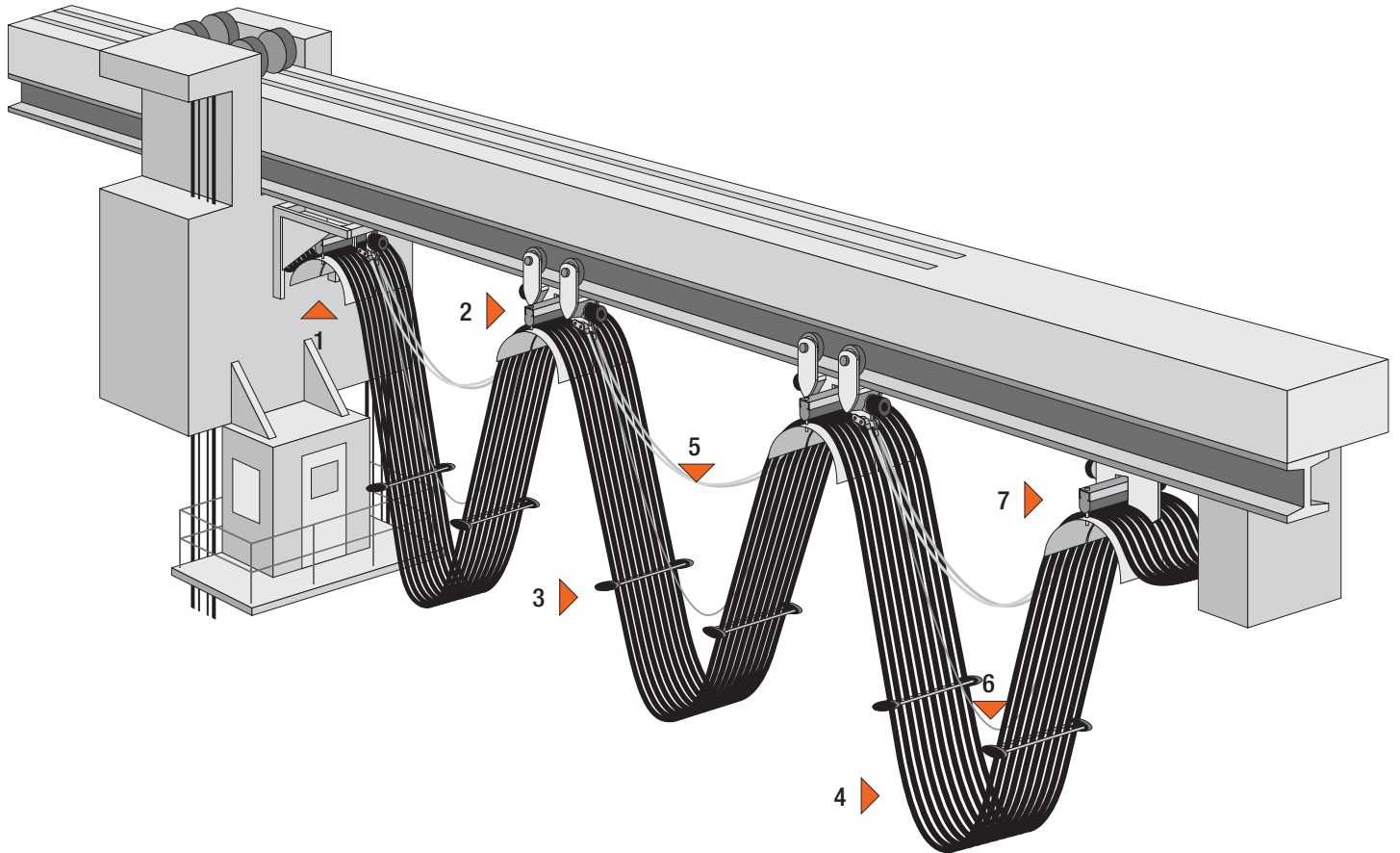


Carrying a heavy load!
Program 0380 motorized cable trolley system in combination with **Program 0375** on an STS-container crane.



Everything from one source:
Choosing right cables is always a given at Conductix-Wampfler!

System Layout

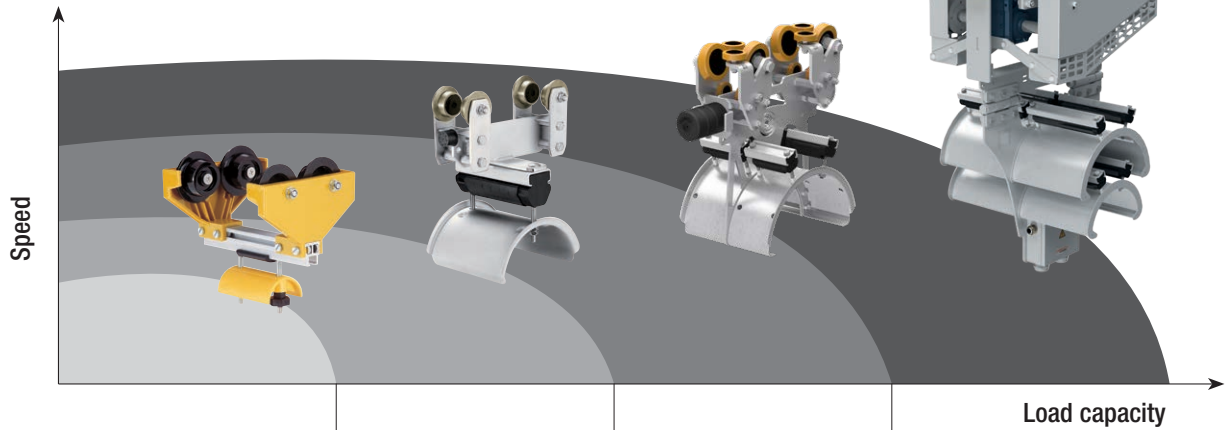


1. Towing Trolley / Towing clamp
2. Cable Trolley
3. Cable Organizer
4. Cables
5. Elastic Damping Device
6. Tension Relief Rope
7. End Clamp

Complete Overview of Cable Trolleys

Program 0314 – 0385 for I-Beams

Conductix-Wampfler's product range includes economical plastic cable trolleys for the most basic applications all the way up to rugged motorized cable trolleys with frequency converter control and our patented drive concept for heavy dynamic loads.



	For low mechanical and dynamic loads		For medium mechanical and dynamic loads		For high mechanical and dynamic loads		For maximum mechanical and dynamic loads		
Design	For low mechanical and dynamic loads		For medium mechanical and dynamic loads		For high mechanical and dynamic loads		For maximum mechanical and dynamic loads		
Typical applications	Monorail hoists and overhead bridge cranes		Standard and special overhead bridge cranes and conveyor systems		Ladle cranes, grab cranes, container cranes and high-speed conveyor systems		Ladle cranes, grab cranes, container cranes and high-speed conveyor systems		

Festoon Program	0314	0320	0325	0330	0350	0360	0366	0375	0380	0385
Cable weight per cable trolley max. (kg)*	20	80	125	200	350	500	350	800	800	
Speed max. (m/min)	50	100	120	150	160	160	300**	300**	300	
Suitable cable type	Flat / Round	Flat / Round	Flat / Round	Flat / Round	Flat	Round	Round	Round	Round	
Multiple saddle		○	○	○	○	○		○	○	
Motorized									○	

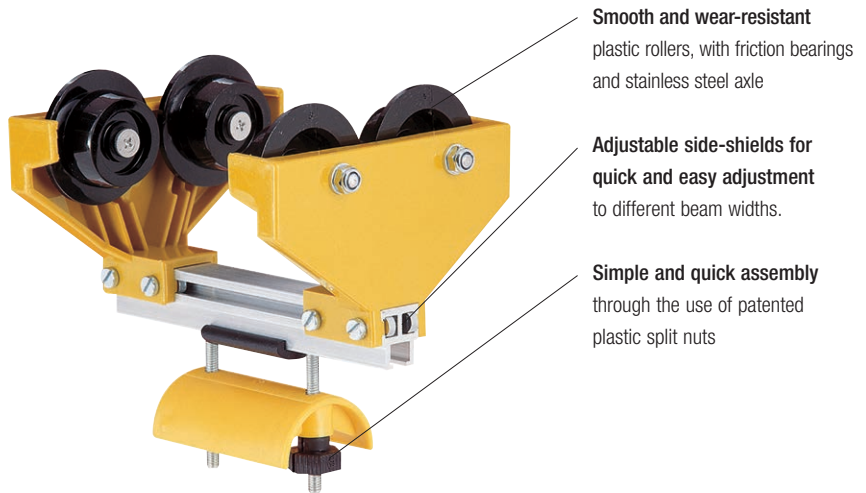
	Page 6	Page 8	Page 9	Page 10	Page 12	Page 13	Page 15	Page 17	Page 19	
--	--------	--------	--------	---------	---------	---------	---------	---------	---------	--

* Depends on roller size/roller material ** In combination with motorized trolleys

Program 0314

Plastic **flat** or **round cable trolleys** trolleys, center-loaded, for lighter cable packages. Flanged-guided plastic rollers for simple I-beam applications. Two, three, or four rollers.

These cable trolleys generally run on the same I-beam as the electric vehicle.



Smooth and wear-resistant plastic rollers, with friction bearings and stainless steel axle

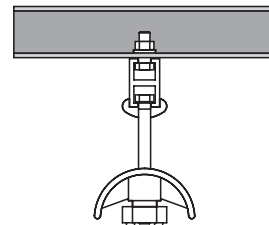
Adjustable side-shields for quick and easy adjustment to different beam widths.

Simple and quick assembly through the use of patented plastic split nuts

Main applications:

- Electric chain hoists, e.g., on swiveling cranes
- Travelling hoists
- Standard cranes
- Transport systems
- Electric and air supply for machinery

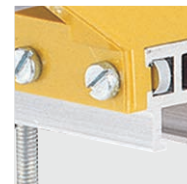
End Clamp



Standard application data

Max. travel speed	50 m/min
Max. load capacity	20 kg*
Main rollers	Diameter: 40 mm design: flanged rollers Material: polyamide
Ambient temperature	-20°C ... +60°C
Applications	Indoor / outdoor
Acid-proof design	Available by request
Resistance to chemicals	Special designs on request
Curved	Optional
I-beam	Parallel flange / tapered flange

* Depends on roller arrangement



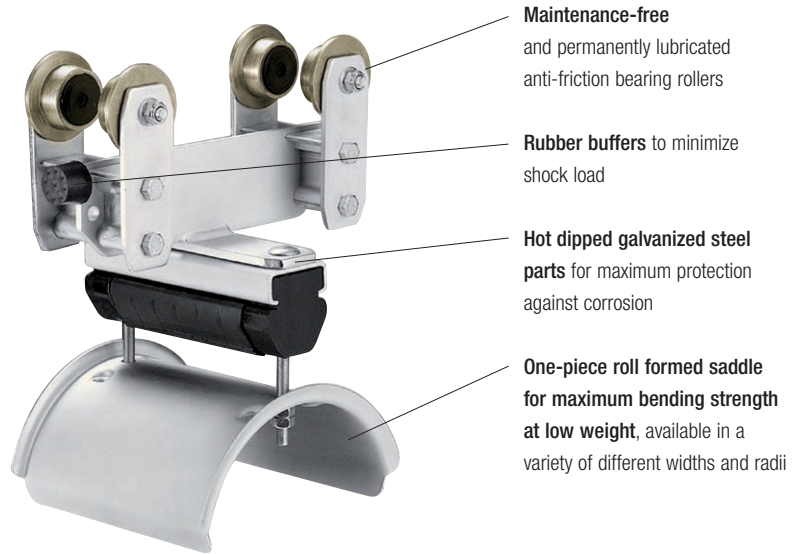


Program 0320

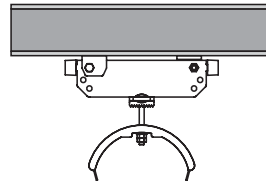
Compact **round** or **flat cable trolleys**, center-loading, made of galvanized steel for medium speeds and cable weights.

Main applications:

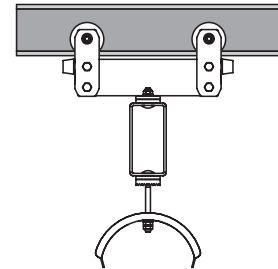
- Standard bridge cranes
- Conveyor systems
- Electric hoist units
- Transport systems



End Clamp



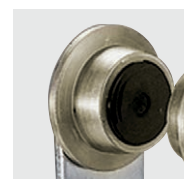
Tow Trolley



Standard application data

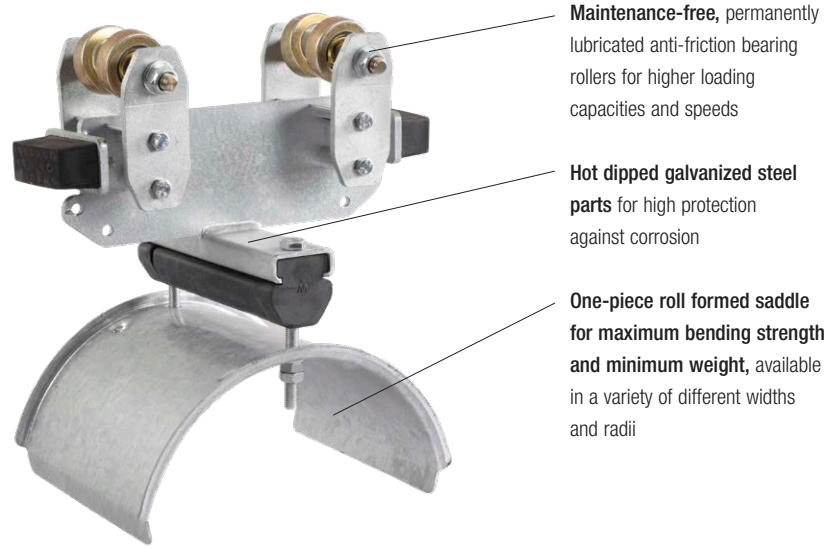
Max. travel speed	100 m/min*
Max. load capacity	80 kg*
Main rollers	Diameter: 40 mm design: flanged / non flanged Material: steel / Polyurethane, others on request
Ambient temperature	-30°C ... +80°C*
Applications	Indoor / outdoor
Design	Hot-dipped galvanized steel stainless steel powder-coated painted
Resistance to chemicals	Special designs on request
Curved	Optional
I-beam	Parallel flange / tapered flange

* Depends on roller size/roller material



Program 0325

Compact **round** or **flat cable trolleys**, center-loading, made of hot-dipped galvanized steel for medium mechanical and dynamic loads.



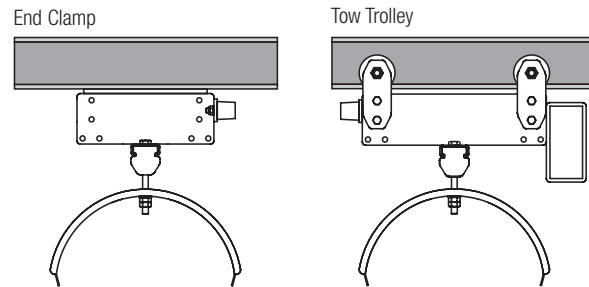
Maintenance-free, permanently lubricated anti-friction bearing rollers for higher loading capacities and speeds

Hot dipped galvanized steel parts for high protection against corrosion

One-piece roll formed saddle for maximum bending strength and minimum weight, available in a variety of different widths and radii

Main applications:

- Bridge cranes
- Conveyor applications
- Electric hoists
- Transport systems



Standard application data

Max. travel speed	120 m/min*
Max. load capacity	125 kg*
Main rollers	Diameter: 50 mm design: flanged / non flanged Material: steel / Polyurethane, others on request
Ambient temperature	-30°C ... +80°C*
Applications	Indoor / outdoor
Design	Hot-dipped galvanized steel stainless steel powder-coated painted
Resistance to chemicals	Special designs on request
Curved	Optional
I-beam	Parallel flange / tapered flange

* Depends on roller size/roller material



Program 0330

Our fastest and strongest **round** or **flat cable trolleys** for average loads. Made of hot-dipped galvanized steel for average speeds and higher loads with four-point suspension.

Main applications:

- Bridge cranes
- Conveyor systems
- Electric hoists
- Transport systems



High load capacity main rollers with extra large ball bearing diameters

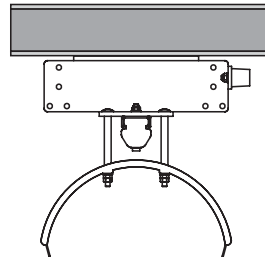
Maintenance-free permanently lubricated anti-friction bearing rollers for higher loading capacities and speeds

Robust, rectangular rubber buffers to minimize shock load

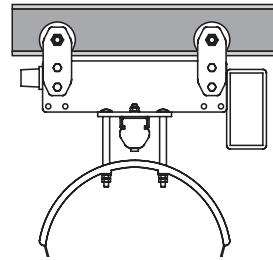
Hot dipped galvanized steel parts for high protection against corrosion

One-piece roll formed saddle for maximum bending strength and minimum weight, available in a variety of different widths and radii

End Clamp



Tow Trolley



Standard application data

Max. travel speed	150 m/min*
Max. load capacity	200 kg*
Main rollers	Diameter: 63 mm design: flanged / non flanged Material: steel / Polyurethane, others on request
Ambient temperature	-30°C ... +80°C*
Applications	Indoor / outdoor
Design	Hot-dipped galvanized steel stainless steel powder-coated painted
Resistance to chemicals	Special designs on request
Curved	Optional
I-beam	Parallel flange / tapered flange

* Depends on roller size/roller material





Program 0350

Cable trolley with single or multi layer side-loading cable supports for **flat cables**.

Suitable for medium mechanical and dynamic loads including traversing operation with lateral forces. Also suitable for short work cycles and high speeds.

Main applications:

- Bridge cranes
- Gantry cranes
- Stacker cranes (RMG's, RTG's)
- Ladle cranes
- Stacker and reclaimers
- Conveyor systems
- Transport systems



Maintenance-free, permanently lubricated high load capacity
main rollers with extra large ball bearings and special seals for the toughest environmental conditions

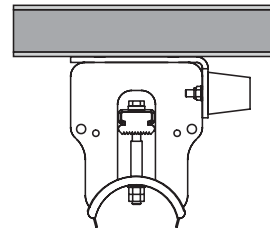
Optimized running gear
for precise tracking performance

Stable rubber clamp profile for safe cable support even with large cable packages

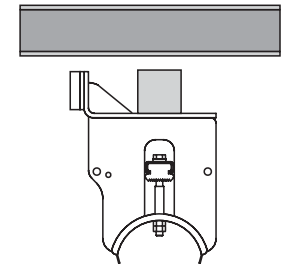
Stainless steel hardware
for permanent protection against corrosion

One-piece cable saddle welded to the center plate for high loads

End Clamp



Tow Clamp



Standard application data

Max. travel speed	160 m/min*
Max. load capacity	350 kg*
Main rollers	Diameter: 50/63/80/100 mm design: flanged / non flanged Material: steel / Polyurethane, others on request
Ambient temperature	-30°C ... +80°C*
Applications	Indoor / outdoor sea climate
Design	Hot-dipped galvanized steel stainless steel powder-coated painted
Resistance to chemicals	Special designs on request
Curved	Optional
I-beam	Parallel flange / tapered flange

* Depends on roller size/roller material



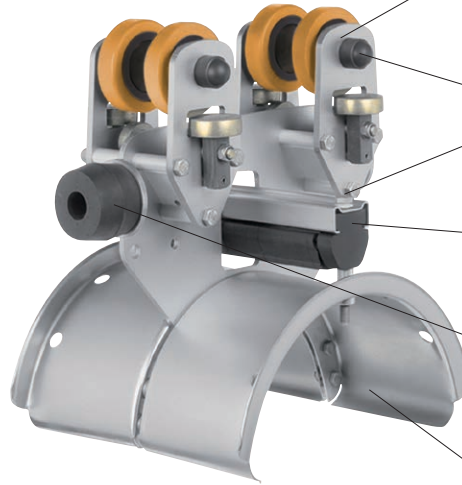
Program 0360

Cable trolley with single or multi layer side-loading cable supports for **round cables**.

Suitable for high mechanical and dynamic loads including traversing operation with lateral forces. Also suitable for short work cycles and high speeds.

Main applications:

- Scrap and ladle cranes in steel mills
- STS-container cranes
- Heavy-duty scrap cranes in steel mills
- High-speed conveyor systems



Maintenance-free, permanently lubricated high load capacity main rollers with extra large ball bearings and special seals for the toughest environmental conditions

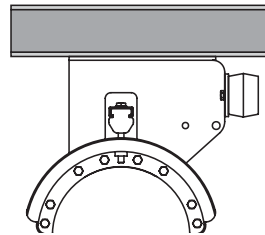
Stainless steel hardware for permanent protection against corrosion

Stable rubber clamp profile for optimal cable support even with large cable packages

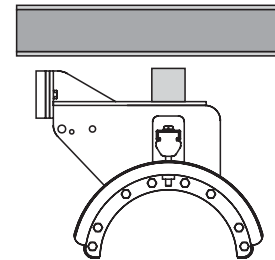
Robust hollow rubber bumpers for maximum energy absorption of high mechanical and dynamic shock loads – single or double-sided

Roll formed saddle for maximum bending resistance and low weight

End Clamp



Tow Clamp



Standard application data

Max. travel speed	160 m/min*
Max. load capacity	500 kg*
Main rollers	Diameter: 50/63/80/100/112/125 mm design: flanged / non flanged Material: steel / Polyurethane, others on request
Ambient temperature	-30°C ... +80°C*
Applications	Indoor / outdoor sea climate
Design	Hot-dipped galvanized steel stainless steel powder-coated painted
Resistance to chemicals	Special designs on request
Curved	Optional
I-beam	Parallel flange / tapered flange

* Depends on roller size/roller material





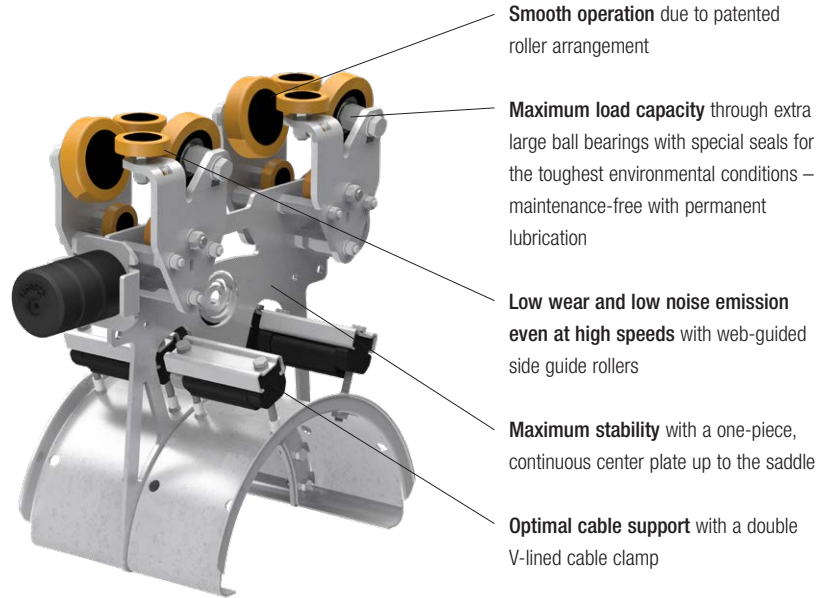
Program 0366

High-speed cable trolley with single layer side-loading cable supports for **round cables**.

Suitable for maximum mechanical and dynamic loads including traversing operation with strong lateral forces.

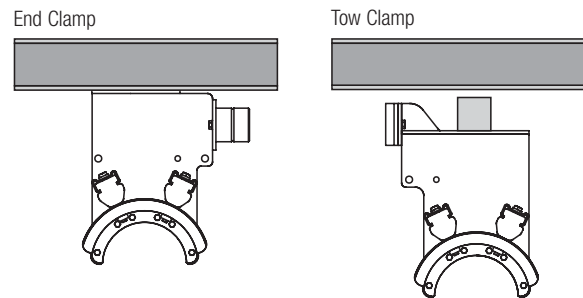
Also suitable for short work cycles and high work speeds.

For high speeds 0366 is used with a motorized cable trolley.



Main applications:

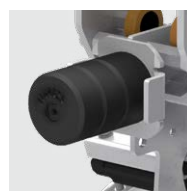
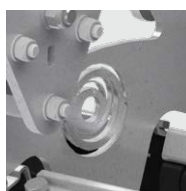
- STS-container cranes
- Ladle cranes
- Heavy-duty grab cranes
- High-speed conveyor systems



Standard application data

Max. travel speed	300 m/min* (in combination with motorized trolleys)
Max. load capacity	350 kg*
Main rollers	Diameter: 112/125 mm design: non flanged Material: steel / Polyurethane, others on request
Ambient temperature	-30°C ... +50°C
Applications	Indoor / outdoor sea climate
Design	Hot-dipped galvanized steel stainless steel powder-coated painted
Resistance to chemicals	Special designs on request
Curved	Optional
I-beam	Parallel flange / tapered flange

* Depends on roller size/roller material





Program 0375

Cable trolley with multi layer side-loading cable saddles for **round cables**. Suitable for maximum mechanical and dynamic loads including traversing operation and strong lateral forces. Suitable for short work cycles and high speeds when combined with powered cable trolleys.



Maintenance-free, permanently lubricated main rollers for high load capacity with extra large ball bearings and special seals for the toughest environmental conditions

Web-guided side rollers for low wear and low noise emission even at high speeds

Individually removable side shields for easy replacement of the rollers

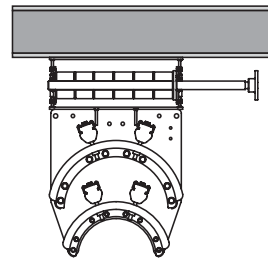
One-piece continuous center plate for maximum stability

Double V-lines cable clamp for optimal cable support of the round cables

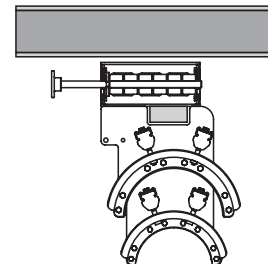
Main applications:

- STS-container cranes
- Scrap and ladle cranes in steel mills
- High-speed conveyor systems
- Transport systems

End Clamp



Tow Clamp



Standard application data

Max. travel speed	300 m/min* (in combination with motorized trolleys)
Max. load capacity	800 kg*
Main rollers	Diameter: 125/160 mm design: non flanged Material: steel / Polyurethane, others on request
Ambient temperature	-30°C ... +50°C
Applications	Indoor / outdoor sea climate
Design	Hot-dipped galvanized steel stainless steel powder-coated painted
Resistance to chemicals	Special designs on request
Curved	Optional
I-beam	Parallel flange / tapered flange

* Depends on roller size/roller material



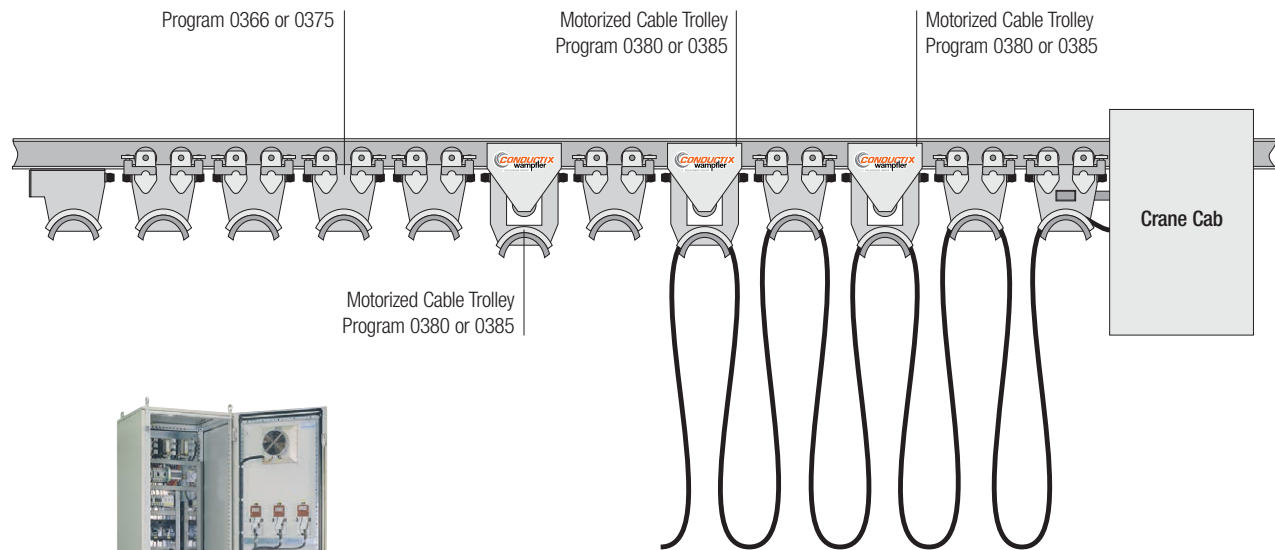
Motorized Festoon-Systems

The speed and acceleration of today's container handling systems often exceed the physical limitations of conventional festoon systems, especially when managing large cable packages.

Combining motorized cable trolleys with non-motorized cable trolleys allows for controlled acceleration and deceleration. Synchronization with the crane cab makes it possible to increase the travel speeds of the entire system enormously. Wear and maintenance work are reduced considerably, which increases the availability of the complete facility and minimizes overall costs.



System sketch



Control panel with variable frequency drives for three motorized trolleys – by Conductix-Wampfler



Motorized main cable trolley with magnetic switch for back reach limit stops

Program 0380 | 0385

Motorized cable trolley for **round cables** with a patented compact drive (program 0380) or with a gear motor (program 0385).

The entire system consists of motorized cable trolleys, a frequency converter control for optimizing movement, and cable trolleys from programs 0366 and 0375.

Main applications:

- High-speed STS-container cranes of all Panamax classes
- Special overhead bridge cranes
- Scrap and ladle cranes in steel mills
- High-speed conveyor systems
- Transport systems

Standard application data

Max. travel speed	300 m/min*
Max. load capacity	800 kg*
Main rollers	Diameter: 125/160 mm design: non flanged Material: steel / Polyurethane, others on request
Ambient temperature	-30°C ... +50°C
Applications	Indoor / outdoor sea climate
Design	Hot-dipped galvanized steel stainless steel powder-coated painted
Resistance to chemicals	Special designs on request
I-beam	Parallel flange

Compact designed power unit with standard motor and thermal overload protection

Minimization of the most severe mechanical and dynamic shock loads with heavy duty rubber or cellular buffers



Increased capacity range with double gear motor drive

Optimal cable support with a double V-lined trolley clamp



* Depends on roller size/roller material



Perfect Interaction

Use of the appropriate Conductix-Wampfler accessories increases the safety, the availability, and the operational life of the entire festoon system.

Conductix-Wampfler accessories, selected from a wide range of options, are optimally coordinated with the appropriate cable trolley line and allow for the counterbalancing of unfavorable operating conditions.

Conductix-Wampfler offers the optimal components for every application – long-lasting and with the high quality you’ve come to expect.



From a wide range of rollers, large and small, Conductix-Wampfler will choose the optimal roller for the application.

Cable clamps

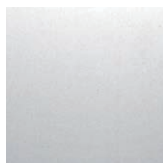
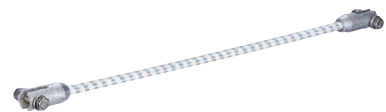
Cable Clamps control the alignment of each cable loop to prevent cables from twisting or overlapping. Cable clamps greatly increase the operational life of the cables as well as the functional safety of the system.



Tension relief ropes prevent excessive tension on the cables. Suitable for every application with their various materials and designs.



Elastic damping devices optimize the movement of the system at high speeds and protect the cables.



Whether hot-dipped galvanizing, stainless steel, powder-coated or painted steel, Conductix-Wampfler always offers the **right material and surface coating for the job.**

Service – tailor-made

Complete service competence

The scope and depth of the Conductix-Wampfler range of services is based on the requests and requirements of the customers. From planning to long-term agreements, anything is possible – according to your needs. Plus, the more complex the system layout and the expectations of operational life and operational safety, the more sense it makes to utilize our competent service team. Ask us!

Project Planning

- Determining the application parameters
- Selecting the optimal cable trolley technology and suitable cables – optimized to customer requirements, application parameters and environmental factors

Pre-assembly

- Mounting the cable trolleys on the transport beam
- Laying out and aligning the cables
- Installing the equipment
- Loading and transporting the festoon system to its site of operation



Final assembly & inspection

- Ensuring the correct assembly on site
- Completing the installation, inspection, and commissioning using trained and experienced personnel

Maintenance & service

- Regular maintenance and inspections increase the operational life of the facility, ensuring its long-term availability
- Conductix-Wampfler service agreements: the “complete worry-free package”



The experts of Conductix-Wampfler assist our customers from planning through pre-assembly right up to the on-site installation – anywhere in the world!



Your Applications – our Solutions

The products described in this catalog represent a few of the products from the broad spectrum of Conductix-Wampfler components and systems for the transfer of energy, data, gases, and fluids. The solutions we deliver for your applications are based on your specific requirements. In many cases, a combination of several different Conductix-Wampfler products are needed to fill the application. You can count on all of Conductix-Wampfler's business units for hands-on engineering support - coupled with the perfect solution to meet your energy management and control needs.



Motor driven cable reels

Motor driven reels by Conductix-Wampfler are the perfect solution for managing long lengths of heavy cable and hoses in very demanding industrial applications. Monospiral, level wind, and random wind spools.



Slip ring assemblies

Whenever powered machinery needs to rotate 360°, field proven slip ring assemblies by Conductix-Wampfler can flawlessly transfer energy and data. Here, everything revolves around flexibility and reliability.



Conductor bar

Whether they are enclosed conductor rails, expandable single-pole bar systems, or high amperage bar for demanding steel mill use up to 6000 amps. Conductix-Wampfler's conductor bar is the proven solution to reliably move people and material.



Spring driven cable reels

We have 60 years experience and trusted brands such as Insul-8, Wampfler, and IER. We offer small cord reels all the way to large multi-motor units, a wide range of accessories, and hazardous location reels.



Cable Festoon systems

It's hard to imagine Conductix-Wampfler cable trolleys not being used in virtually every industrial application. They are reliable and robust and available in an enormous variety of sizes and models.



Push Button Pendants

Our ergonomic pendants are ideally suited for industrial control applications. They are available in a wide range of configurations for overhead cranes and other machinery.



Radio remote controls

Safe, secure, and reliable radios use the latest in microprocessor technology. Available in several models for overhead crane control and other types of machinery.



Inductive Power Transfer IPT®

The contact-less system for transferring energy and data. For all tasks that depend on high speeds and absolute resistance to wear.



Energy guiding chains

The "Jack of all Trades" when it comes to managing energy and data cables and air and fluid hoses. A wide range of energy guiding chains are available for many industrial applications.



Air hoists and balancers

ENDO Air hoists accurately place delicate loads and continuously vary the speed for precise positioning. They run cool in **continuous operations.**



Bumpers

Conductix-Wampfler offers a complete range of bumpers for the auto industry, cranes, and heavy machinery. These include rubber, rubber/metal, and cellular types.



Spring balancers and retractors

ENDO spring balancers by Conductix-Wampfler are rugged, reliable high-precision positioning devices that reduce operator fatigue and assist with accurate tool placement.

www.conductix.us

USA / LATIN AMERICA

10102 F Street
Omaha, NE 68127

Customer Support
Phone +1-800-521-4888

Phone +1-402-339-9300
Fax +1-402-339-9627

info.us@conductix.com
latinamerica@conductix.com

CANADA

1435 Norjohn Court
Unit 5
Burlington, ON L7L 0E6

Customer Support
Phone +1-800-667-2487

Phone +1-450-565-9900
Fax +1-450-951-8591

info.ca@conductix.com

MÉXICO

Calle Treviño 983-C
Zona Centro
Apodaca, NL México 66600

Customer Support
Phone (+52 81) 1090 9519
(+52 81) 1090 9025
(+52 81) 1090 9013

Fax (+52 81) 1090 9014

info.mx@conductix.com

BRAZIL

Rua Luiz Pionti, 110
Vila Progresso
Itu, São Paulo, Brasil
CEP: 13313-534

Customer Support
Phone (+55 11) 4813 7330

Fax (+55 11) 4813 7357

info.br@conductix.com

Contact us for our Global Sales Offices

