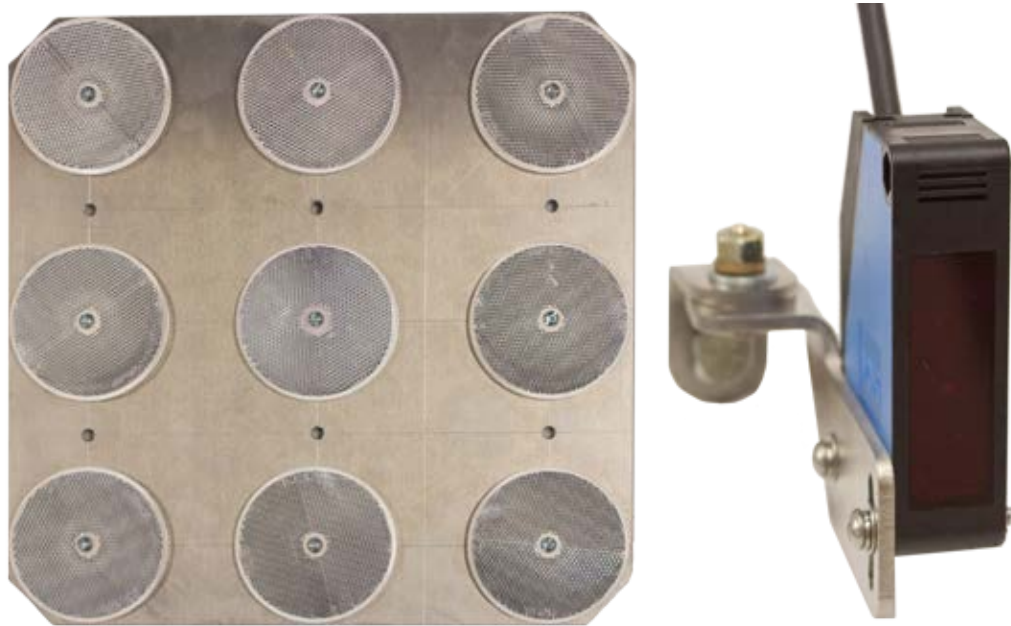


BridgeGuard Essential™ Manual



CONDUCTIX
wampfler
① DELACHAUX GROUP

CONDUCTIX INCORPORATED

The technical data and images which appear in this manual are for informational purposes only. **NO WARRANTIES, EXPRESS OR IMPLIED, INCLUDING WARRANTIES OF MERCHANTABILITY OR FITNESS FOR A PARTICULAR PURPOSE, ARE CREATED BY THE DESCRIPTIONS AND DEPICTIONS OF THE PRODUCTS SHOWN IN THIS MANUAL.** Conductix makes no warranty (and assumes no liability) as to function of equipment or operation of systems built according to customer design or of the ability of any of its products to interface, operate or function with any portions of customer systems not provided by Conductix.

Seller agrees to repair or exchange the goods sold hereunder necessitated by reason of defective workmanship and material discovered and reported to Seller within one year after shipment of such goods to Buyer.

Except where the nature of the defect is such that it is appropriate, in Seller's judgment, to effect repairs on site, Seller's obligation hereunder to remedy defects shall be limited to repairing or replacing (at Seller's option) FOB point of original shipment by Seller, any part returned to Seller at the risk and cost of Buyer. Defective parts replaced by Seller shall become the property of Seller.

Seller shall only be obligated to make such repair or replacement if the goods have been used by Buyer only in service recommended by Seller and altered only as authorized by Seller. Seller is not responsible for defects which arise from improper installation, neglect, or improper use or from normal wear and tear.

Additionally, Seller's obligation shall be limited by the manufacturer's warranty (and is not further warranted by Seller) for all parts procured from others according to published data, specifications or performance information not designed by or for Seller.

Seller further agrees to replace or at Seller's option to provide a refund of the sales price of any goods that do not conform to applicable specifications or which differ from that agreed to be supplied which non-conformity is discovered and forthwith reported to Seller within thirty (30) days after shipment to the Buyer. Seller's obligation to replace or refund the purchase price for non-conforming goods shall arise once Buyer returns such goods FOB point of original shipment by Seller at the risk and cost of Buyer. Goods replaced by Seller shall become the property of Seller.

There is no guarantee or warranty as to anything made or sold by Seller, or any services performed, except as to title and freedom from encumbrances and, except as herein expressly stated and particularly, and without limiting the foregoing, **there is no guarantee or warranty, express or implied, of merchantability or of fitness for any particular purpose or against claim of infringement or the like.**

Seller makes no warranty (and assumes no liability) as to function of equipment or operation of systems built to Buyer's design or of the ability of any goods to interface, operate or function with any portions of Buyer's system not provided by Seller.

Seller's liability on any claim, whether in contract, tort (including negligence), or otherwise, for any loss or damage arising out of, connected with, or resulting from the manufacture, sale, delivery, resale, repair, replacement or use of any products or services shall in no case exceed the price paid for the product or services or any part thereof which give rise to the claim. In no event shall Seller be liable for consequential, special, incidental or other damages, nor shall Seller be liable in respect of personal injury or damage to property not the subject matter hereof unless attributable to gross misconduct of Seller, which shall mean an act or omission by Seller demonstrating reckless disregard of the foreseeable consequences thereof.

Seller is not responsible for incorrect choice of models or where products are used in excess of their rated and recommended capacities and design functions or under abnormal conditions. Seller assumes no liability for loss of time, damage or injuries to property or persons resulting from the use of Seller's products. Buyer shall hold Seller harmless from all liability, claims, suits, and expenses in connection with loss or damage resulting from operation of products or utilization of services, respectively, of Seller and shall defend any suit or action which might arise there from in Buyer's name - provided that Seller shall have the right to elect to defend any such suit or action for the account of Buyer. The foregoing shall be the exclusive remedies of the Buyer and all persons and entities claiming through the Buyer.

TABLE OF CONTENTS

SECTION 1 - SAFETY	4
Safety Information Responsibility	4
Safety Messages	4
SECTION 2 - OVERVIEW	5
General Product Overview	5
Structure	5
Status Indicator Lights	5
SECTION 3 - INSTALLATION	6
Mechanical Installation	6
Reflector Mounting	6
Sensor Mounting	6
Sensor to Bracket Assembly	7
Sensor Targeting	8
Electrical Installation	9
Sensor Cable	9
SECTION 4 - MAINTENANCE	10
Mechanical Maintenance	10
Reflector	10
Sensor	10
Electrical Maintenance	10
SECTION 5 - TROUBLESHOOTING	11

SECTION 1 - SAFETY

Safety Information Responsibility

All owner, operator, and maintenance personnel must read and understand all manuals associated with this product before installation, operation, or maintenance.

The manual provides information on the recommended installation, operation, and maintenance of this product. Failure to read and follow the information provided could cause harm to yourself or others and/or cause product damage. No one should install, operate, or attempt maintenance of this product prior to familiarizing themselves with the information in this manual.

Safety Messages

Safety messages in this manual are preceded by the HAZARD SYMBOL and one of three words: CAUTION, DANGER, OR WARNING. These safety messages are intended to alert you to potential hazards that could cause harm to you or others and/or cause product damage.

CAUTION

- The HAZARD SYMBOL used with the word CAUTION indicates unsafe actions or situations that have the potential to cause injury, and/or minor equipment or property damage.

DANGER

- The HAZARD SYMBOL used with the word DANGER describes immediate hazards that have the potential to cause severe personal injury or death.

WARNING

- The HAZARD SYMBOL used with the word WARNING describes unsafe actions or situations that have the potential to cause severe injury, death, and/or major equipment or property damage.

NOTE

- The word NOTE is used to alert you to installation, operation, programming, or maintenance information that is important, but not hazard related.

SECTION 2 - OVERVIEW

General Product Overview

BridgeGuard Essential prevents crane to crane or crane to structure collision during operation, either from human error or from system malfunction.

Structure



CAUTION

- The original equipment manufacturer must assure that the system is properly configured. Safety is the ultimate responsibility of the user.

Overall features of BridgeGuard Essential can be seen below. See **Figure 5-1** and **Figure 5-2**.

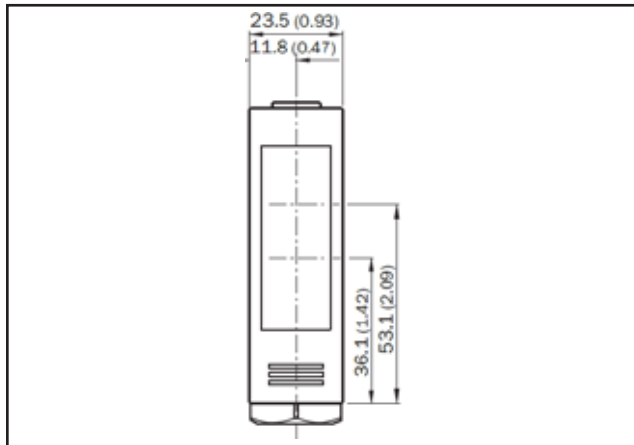


Figure 5-1

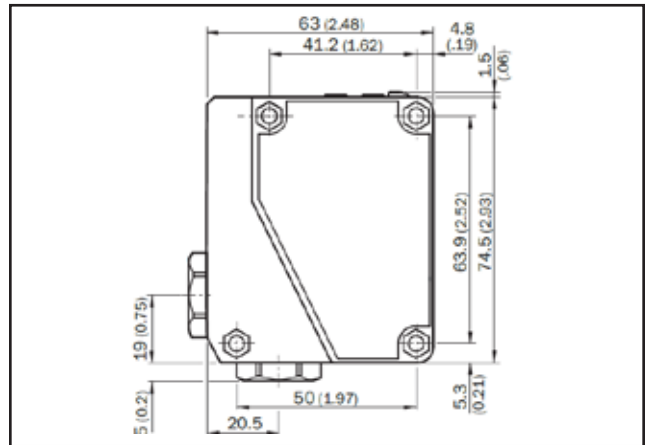


Figure 5-2

Status Indicator Lights

The sensor features status indicator LEDs that provide information on the supply voltage activity, signal strength, and output activity. See **Table 5-1**.

Item	Color	Description
 Status Indicator LEDs	Green	Supply Voltage Active
 Status Indicator LEDs	Red	Signal Strength
 Status Indicator LEDs	Yellow	Output Active

Table 5-1 Description of Status Indicator LEDs

SECTION 3 - INSTALLATION

Mechanical Installation Reflector Mounting

NOTE

- Reflector plate comes with 6 pre-drilled holes. See **Figure 6-1**.
- A minimum of 4 fasteners should be used to mount reflector to I-Beam web.

1. Mount reflector to the I-Beam using appropriate hardware. See **Figure 6-1**.

NOTE

- A spacer must be used between the I-Beam's web and the reflector back plate.
- A lock washer must be used to prevent loosening.
- The plate can be mounted to other surfaces using the same holes, the beam is only an example.

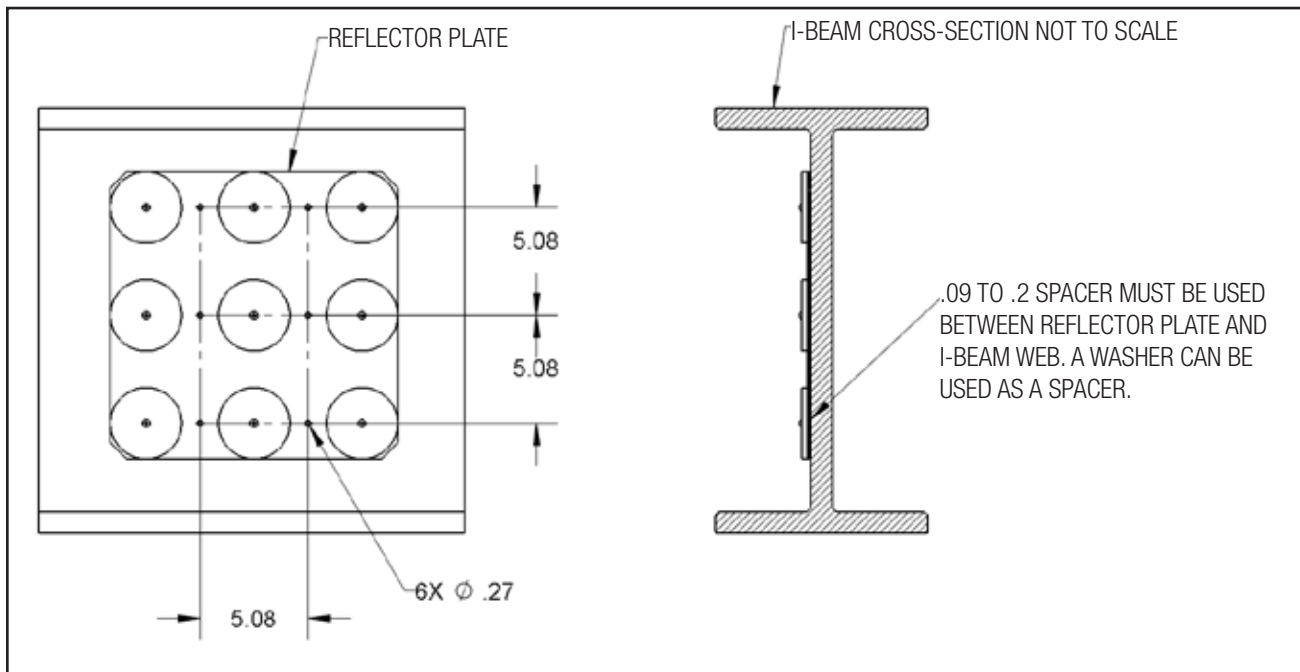


Figure 6-1 Reflector Mounting

Sensor Mounting

1. Mount sensor in desired location and make adjustments appropriate to your specific assembly. See **Figure 6-2**.



WARNING

- Maximum sensor trigger distance should be no more than 50 feet

NOTE

- The sensor can be mounted to the flange of the beam or other alternative surfaces.

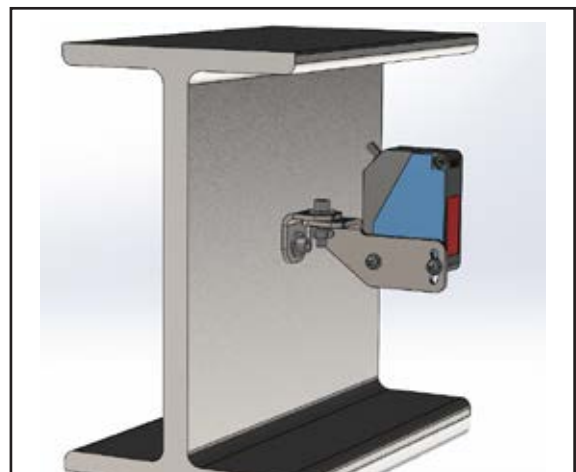


Figure 6-2 Sensor Mounting

SECTION 3 - INSTALLATION

Sensor to Bracket Assembly

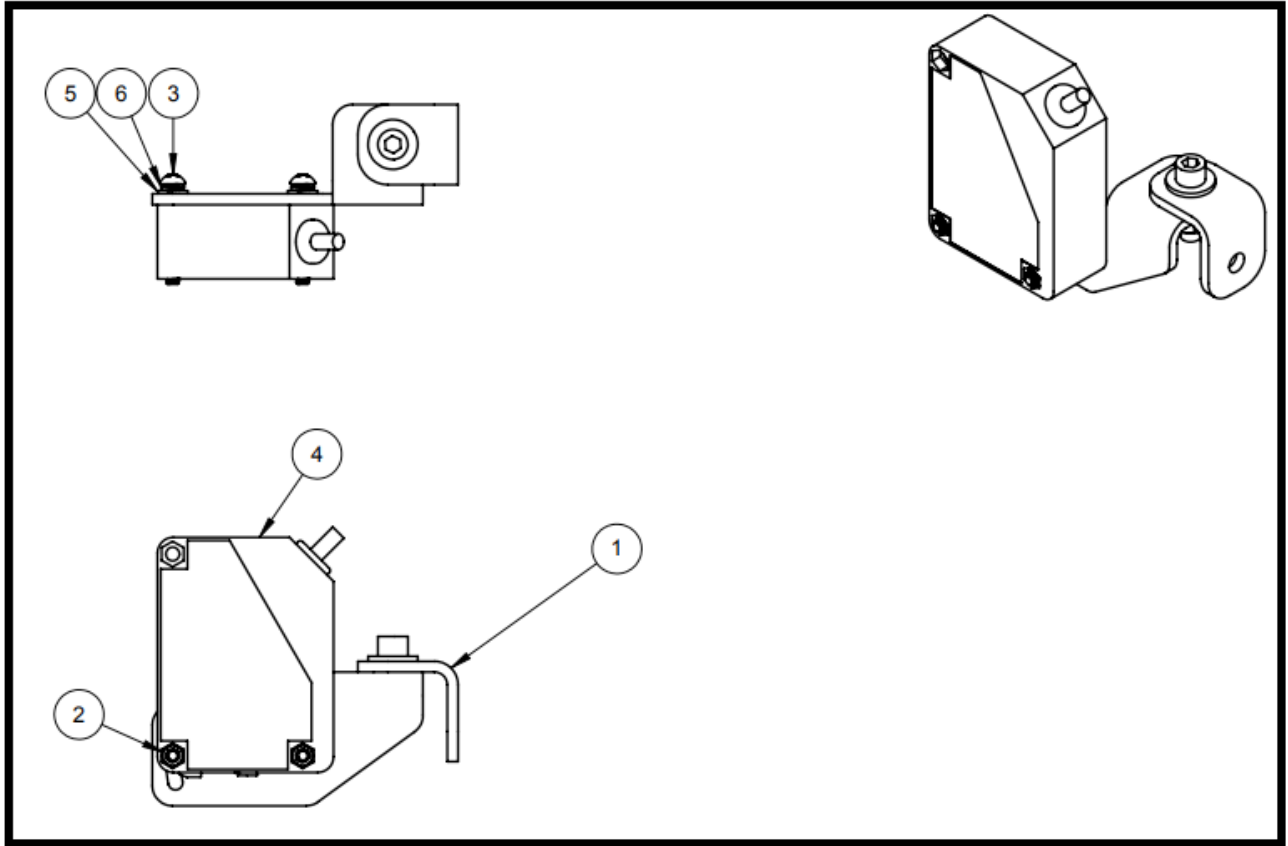


Figure 7-1 Sensor to Bracket Assembly

Number	Description	qty
6	WASHER 8 SCREW LK SST	2
5	WASHER 8 FLAT SST	2
4	SENSOR	1
3	SCREW 8-32 X 1-1/4 SST PHP	2
2	NUT HEX 8-32 NARROW SST	2
1	SENSOR MOUNTING SET	1

Figure 7-1

SECTION 3 - INSTALLATION

Sensor Targeting

Included below are general sensor target installations, your specific installation may vary. See **Figure 8-1** and **Figure 8-2**.

1. Move the crane/vehicle to the predefined stopping position.
2. Align the sensor. Use provided bracket to align the sensor so that its light is either to the left or right edge of the reflector plate.
3. Slowly adjust sensor so that red sender beam hits center of reflector. When green indicator light turns on, your sensor is properly positioned.
4. Tighten nuts and bolts on mounting plate.
5. Move crane back and forth a few times to make sure that sensors switch on at the stopping point.

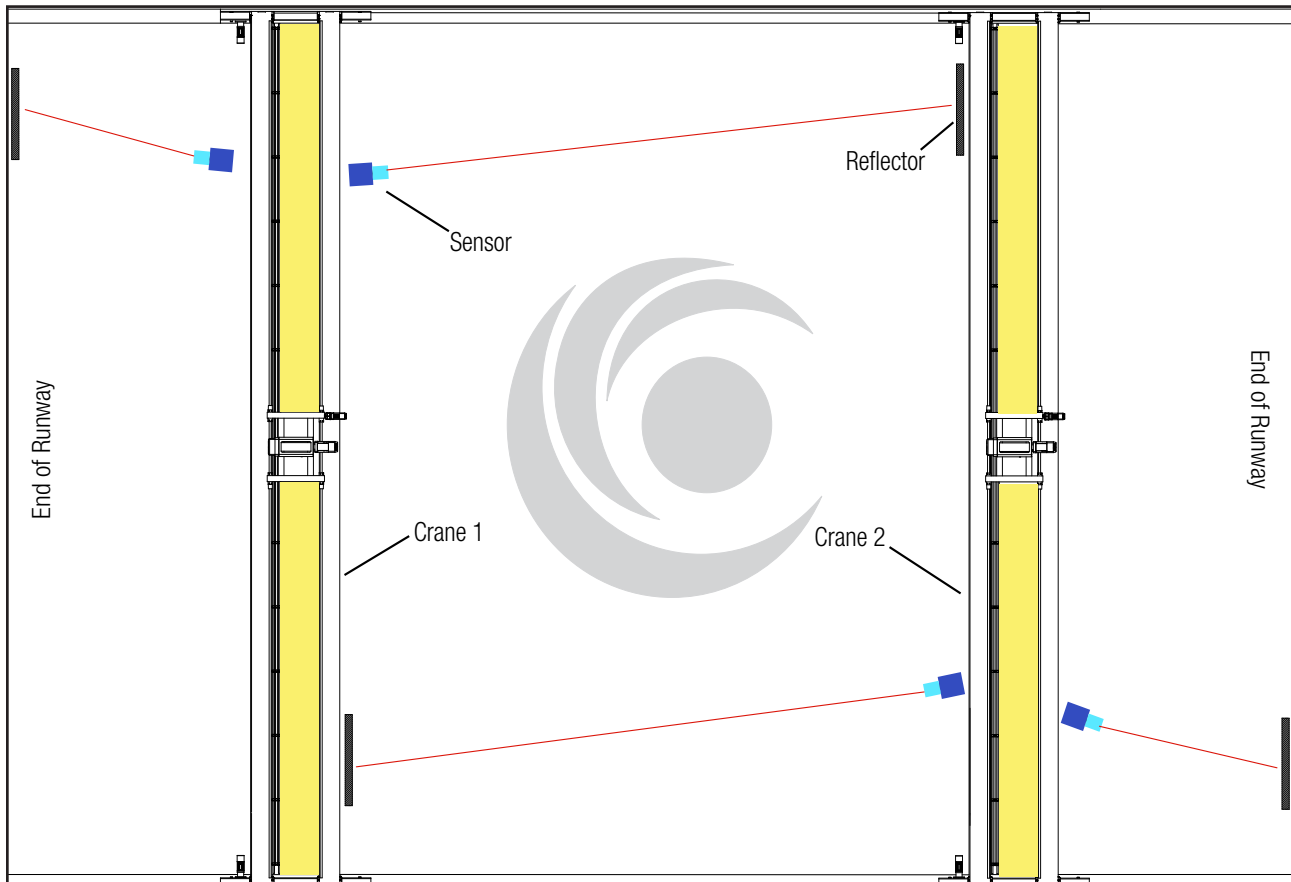


Figure 8-1 General Sensor Target Installation

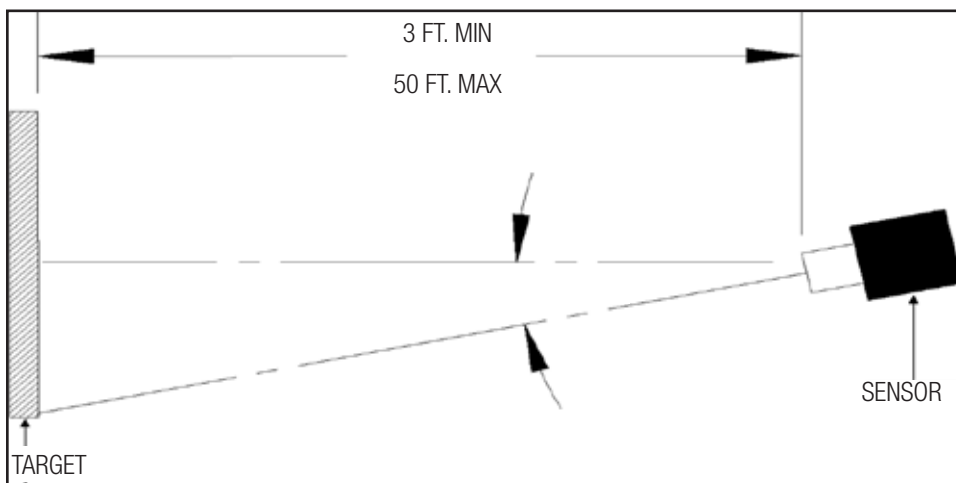


Figure 8-2

NOTE

- Reflector plate must be centered and aligned with the sensor as shown in **Figure 8-2**.

SECTION 3 - INSTALLATION

Electrical Installation

Sensor Cable

Use the Sensor Cable Wiring Diagram for sensor cable installation. See **Figure 9-1**.

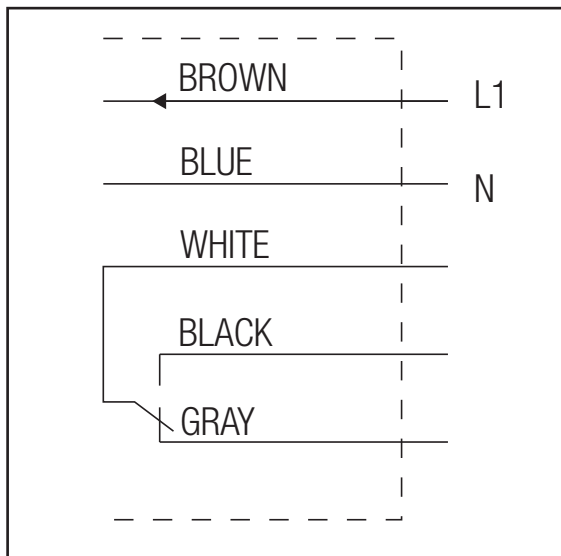


Figure 9-1 Sensor Cable Wiring Diagram

SECTION 4 - MAINTENANCE

Mechanical Maintenance

Reflector

Ensure that the reflector is clean and clear of dirt and other debris at all times.

Sensor

Ensure the sensor is clean and clear of dirt and debris at all times.

Ensure sensor-target path is clear of obstructions.

Electrical Maintenance

 WARNING
<ul style="list-style-type: none">• Equipment damage due to improper cleaning• Never use cleaning agents containing abrasive substance

Interval	Maintenance work	To be performed by
Cleaning interval depends on ambient conditions and climate	Clean housing	Specialist
Every 3 months depending on the application conditions with regard to shock and vibration	Check the screw connections and plug connections.	Specialist

Table 10-1

SECTION 5 - TROUBLESHOOTING

Potential issues and solutions are shown below. Contact the factory for additional support. See **Table 11-1**.

Issue	Potential Cause	Solution
Loss of signals	Electrical Connections	Inspect the electrical connections to the sensors and to the control box.
Unable to read output signals	Electrical Connection	Inspect the connection to terminal blocks in control box and to the sensor.
	Light is not on reflector plate	Realign sensor and reflector plate.
Sensor not working even when plugged in	Sensor-target misalignment	Check to see if sensor is working by holding the reflector close to the sensor.
	Sensor-target misalignment	If the sensor is working, check sensor-target alignment and make adjustments.

Table 11-1

www.conductix.us

USA / LATIN AMERICA

10102 F Street
Omaha, NE 68127

Customer Support
Phone +1-800-521-4888

Phone +1-402-339-9300
Fax +1-402-339-9627

info.us@conductix.com
latinamerica@conductix.com

CANADA

18450 J.A. Bombardier
Mirabel, QC J7J 0H5

Customer Support
Phone +1-800-667-2487

Phone +1-450-565-9900
Fax +1-450-851-8591

info.ca@conductix.com

MÉXICO

Calle Treviño 983-C
Zona Centro
Apodaca, NL México 66600

Customer Support
Phone (+52 81) 1090 9519
(+52 81) 1090 9025
(+52 81) 1090 9013

Fax (+52 81) 1090 9014

info.mx@conductix.com

BRAZIL

Rua Luiz Pionti, 110
Vila Progresso
Itu, São Paulo, Brasil
CEP: 13313-534

Customer Support
Phone (+55 11) 4813 7330

Fax (+55 11) 4813 7357

info.br@conductix.com

Contact USA for our Global Sales Offices

